

WELLINGTON



YACHT PARTNERS



DUCHY 27



The Duchy 27 is a classy and capable day boat, with comfortable seating for six and an expandable varnished table in the cockpit, additional seating with backrest on the engine box, helm and companion seating, on-deck refrigeration, and a clever transom door/step leading to a large swim platform with shower.

Built-in steps with multiple handrails and bow rail lead one safely to the foredeck where twin bow rollers and anchor windlass make picnics and mooring easy.





The pilothouse features both helm and companion adjustable seating, with opening hatches and side windows providing excellent light, ventilation and 360 visibility.

Engine controls, gauges, navigation instruments and all 12 volt DC switches are conveniently located at the helm.

The pilothouse provides security and protection when you really need it - after all, this boat was designed to handle the challenging conditions of the English coastline.



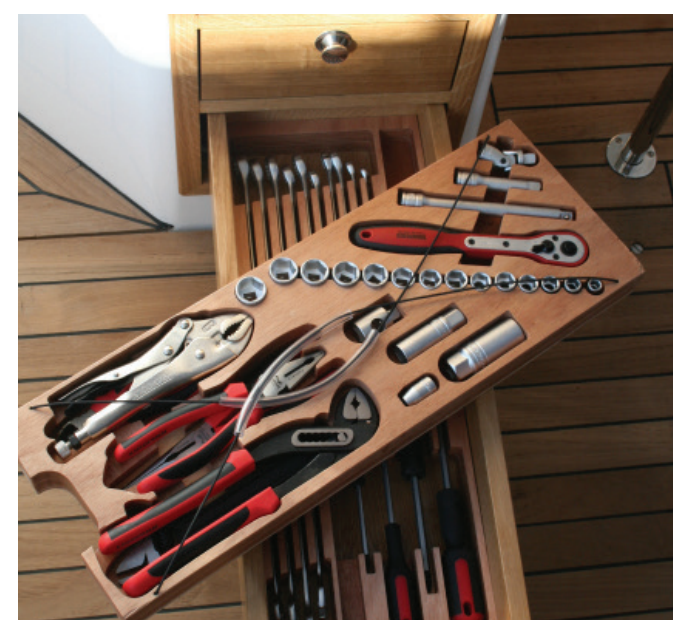
The Duchy 27 is also a capable weekender with creature comforts and amenities rarely found on a yacht this size.

The interior features a proper v-berth with filler, functional galley, and ensuite head with shower - all fabricated to a high standard.



On closer inspection, one will appreciate the quality and attention to detail that Cockwells in Cornwall, UK, has become famous for after decades building a wide variety of custom yachts.

The standard synthetic teak side decking, cockpit sole, swim platform and coaming caps preserve a traditional look in a practical, low-maintenance manner. Note the solid paneled cabinetry, dovetail-jointed drawers, customized storage, neat and clean wiring and plumbing, and the structural hull matrix.



PRINCIPAL DIMENSIONS

LOA	8.2m / 27ft	DISPLACEMENT	7,125 lbs / 3.25 t
BEAM	2.8m / 9ft 2in	FUEL CAPACITY	87 US gal / 330 l
DRAFT	0.85m / 2ft 9in	WATER CAPACITY	58 US gal / 220 l
AIR DRAFT	2.25m / 7ft 4in	HOLDING TANK	7 US gal / 25 l

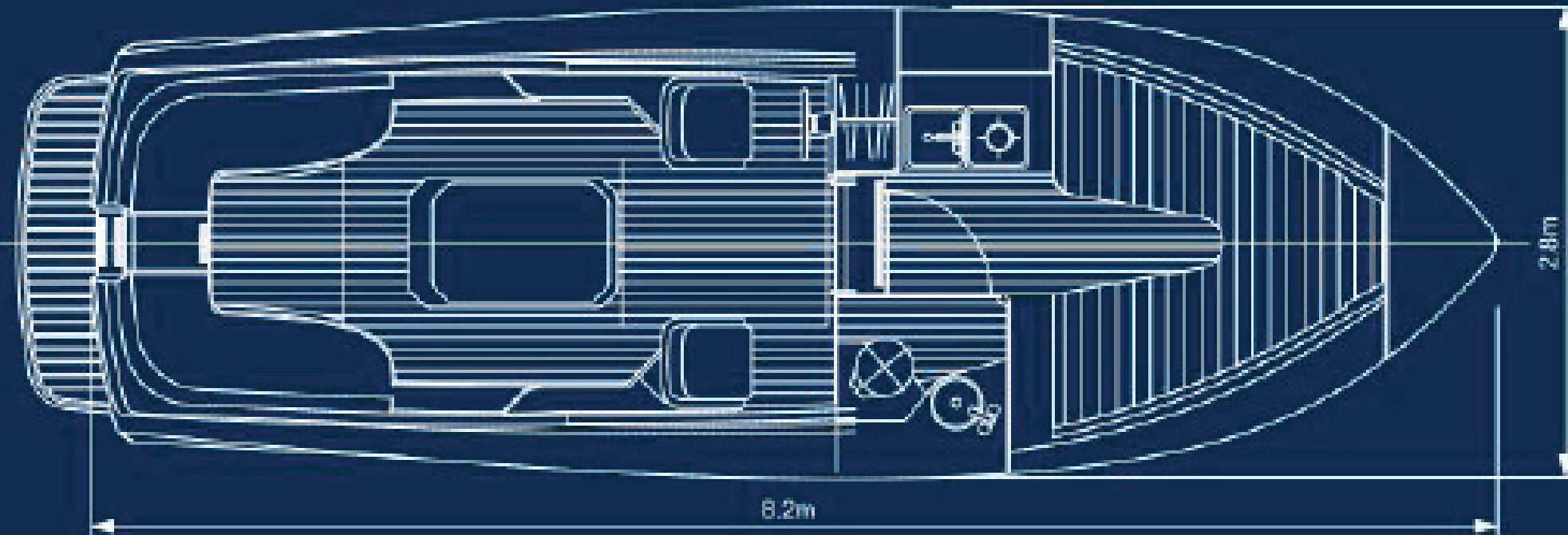
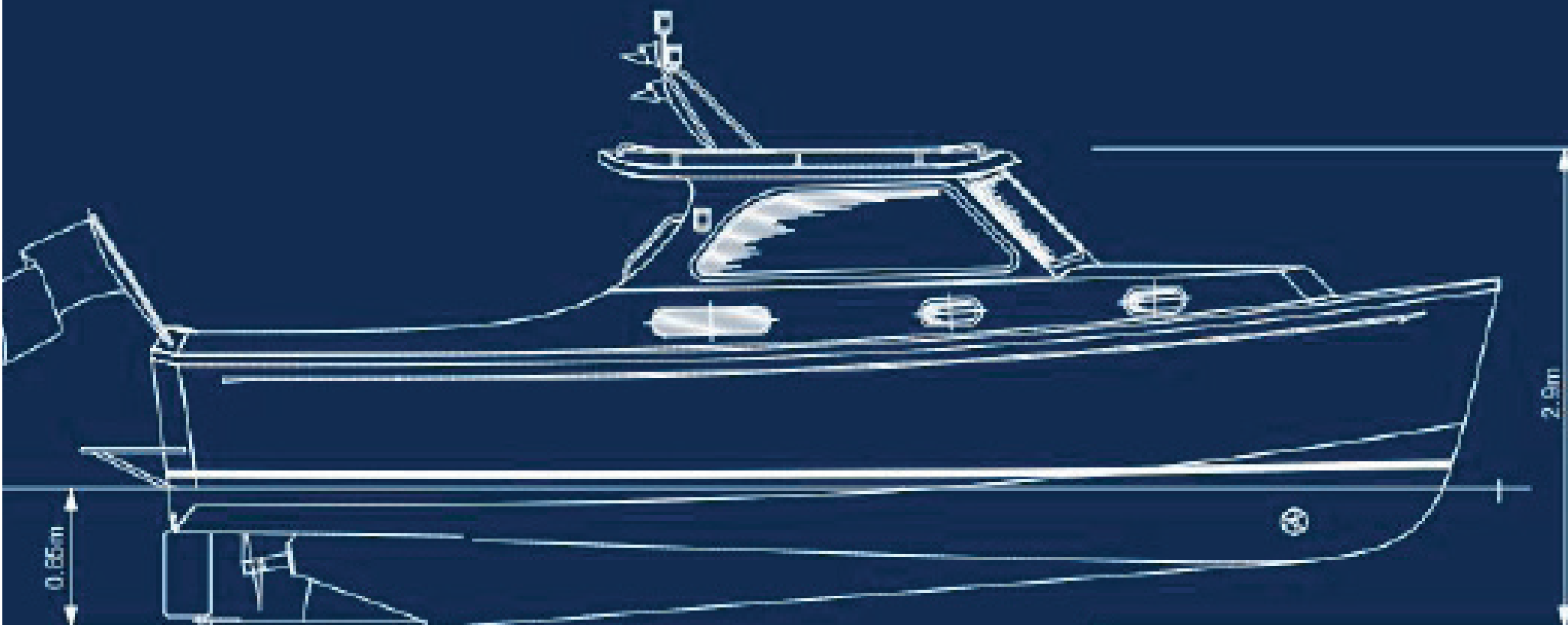
SPECIFICATION HIGHLIGHTS

Built to Recreational Craft Directive, Cat C
 Low maintenance GRP hull, deck, and structural moldings
 Interior moldings for a clean, finished look
 Rub rail with stainless striker at shear
 All 316 custom stainless deck hardware
 (4) opening portholes, (2) deck vents and (3) deck hatches
 Comprehensive safety bow and hand rails
 Upgraded Nanni T4 230 hp diesel engine
 Fuel economy at 19 knot cruise - 2.3 miles/gal
 Fuel economy at 24 knot max - 2.1 miles/gal
 Molded GRP insulated lift-up engine box
 12 Volt DC, 110 Volt AC electrical system
 Comprehensive LED interior/exterior lighting

Inverter/battery charger with AC/DC outlets
 Shore power inlet with cord
 Waterproof Sunbrella upholstery for interior and exterior seating
 High quality joinery throughout
 Teak and holly effect cabin sole
 Stainless galley sink with faucet
 Microwave oven powered by inverter
 Enclosed head w/ wash basin and sit-down shower
 Electric toilet
 VHF radio
 USCG safety gear

OPTIONAL EXTRAS

Bow and stern thrusters
 Navigation package with GPS, radar, AIS, plotter, autopilot, speed and depth
 Electric windlass with helm controls
 Fusion marine stereo system
 Refrigerator/freezer in cockpit
 Hot water heater, transom shower
 Espar cabin/pilothouse heater
 Searchlight
 Cockpit cover - tonneau or bimini with curatins
 Upgrade to leather interior fabrics
 Varnished teak transom
 Epoxy barrier coat with antifouling
 Bespoke custom joinery and storage



WELLINGTON



YACHT PARTNERS

Wellington Yacht Partners is pleased to have been appointed exclusive North American dealer for Cockwells Modern and Classic Boatbuilding, located in Falmouth, Cornwall, UK - builders of the Duchy line of fine motor yachts ranging from 25' to 60' along with a wide variety of other custom yachts over many decades.

Classically designed, handcrafted, semi-custom vessels, Duchy Yachts are built by skilled craftsmen who combine the traditions of the shipwright with modern luxury, technology and performance. With over 35 launched to date, the Duchy 27 has developed a strong reputation for quality workmanship, reliability and seaworthiness. British built - British strong.



MADE IN GREAT BRITAIN



Wellington Yacht Partners, LLC
Exclusive North American Agents

www.wellingtonyachts.com

